

**STAINLESS STEEL  
HIGH QUALITY PRODUCTS**

**NEATSS**  
**STAINLESS STEEL**  
**SPECSHEET**

# WORK TABLE WITH CABINET BASE (STAINLESS STEEL)

# NEATSS

STAINLESS STEEL

## FEATURES

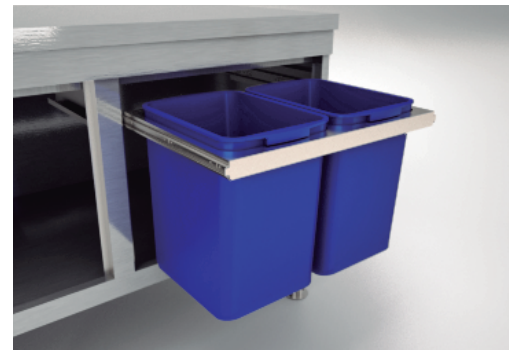
- Work surface with storage cabinets to keep utensils close at hand.
- Built to last with Smooth 18 gauge type 304 stainless steel on work surface that makes cleaning a breeze. And 20 gauge type 304 stainless steel body for lasting durability.
- Our sliding doors feature the special vertical opening for easy working on, you can keep it open and is not going to block the aisle, or close it for taking keep is enclosed.
- Cut in base for comfortable working time.
- Combines unbeatable strength with long-lasting durability.
- Easy to install on mobile units.



Doors can be kept open without blocking the aisle or other storage compartments.



Built for easy installation over wheel wells in mobile units.



Slide out brackets for garbage cans  
\* Sold Separately

## SPECIFICATIONS

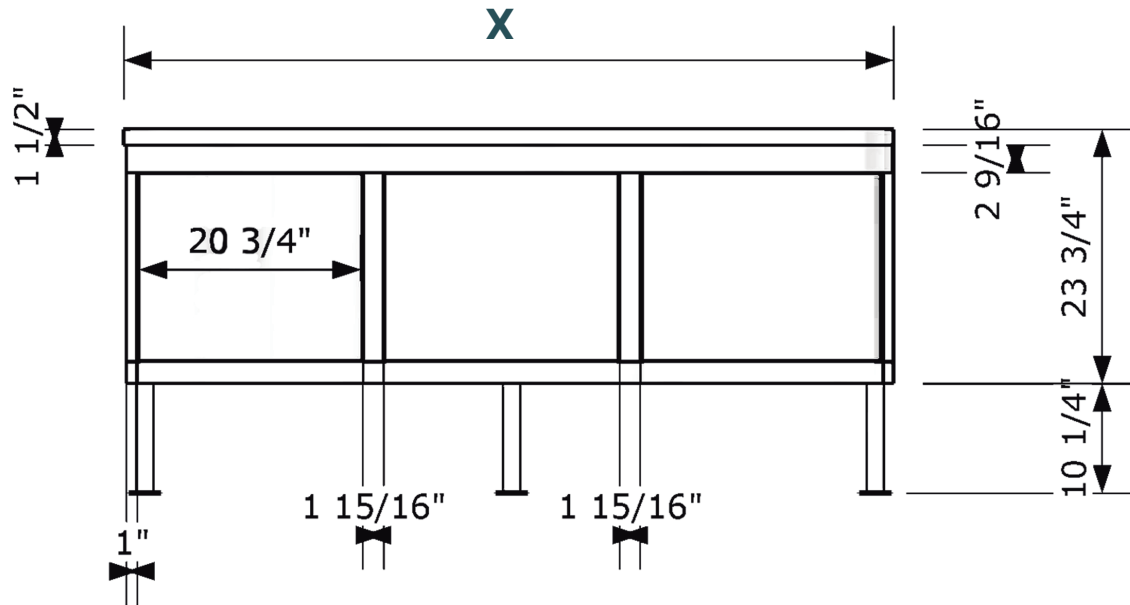
ITEM	LENGTH	DEPTH	HEIGHT	Approx. WEIGHT
NSSWT2824	24"	28"	34"	120 lb.
NSSWT2830	30"	28"	34"	140 lb.
NSSWT2836	36"	28"	34"	160 lb.
NSSWT2842	42"	28"	34"	180 lb.
NSSWT2848	48"	28"	34"	200 lb.
NSSWT2860	60"	28"	34"	240 lb.
NSSWT2872	72"	28"	34"	280 lb.
NSSWT2884	84"	28"	34"	340 lb.
NSSWT2896	96"	28"	34"	380 lb.

# WORK TABLE WITH CABINET BASE (STAINLESS STEEL)

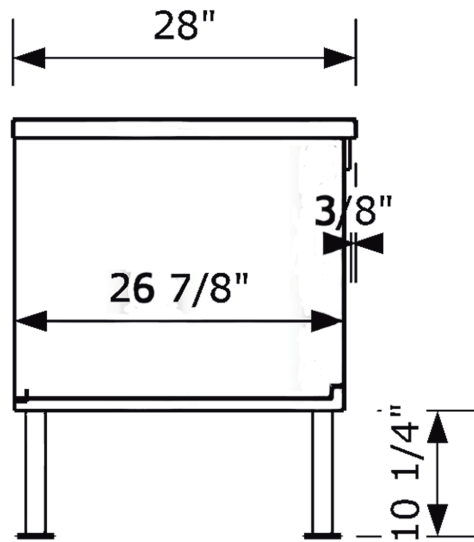
# NEATSS

STAINLESS STEEL

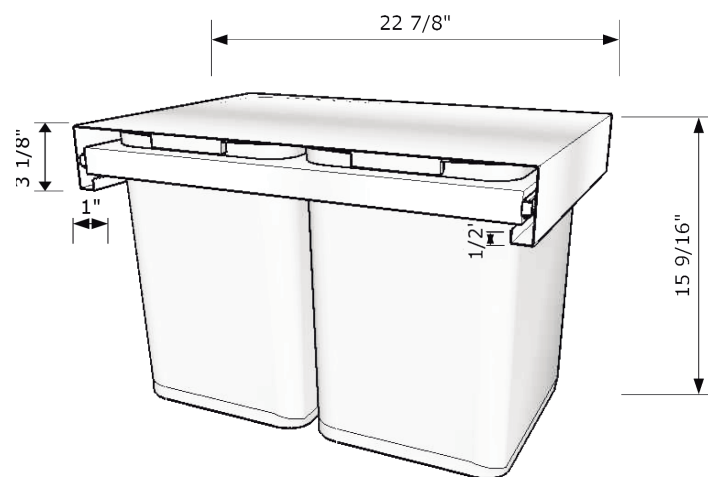
## PLAN VIEW



## FRONT VIEW



## SIDE VIEW



Slide out brackets for garbage cans  
\* Sold Separately

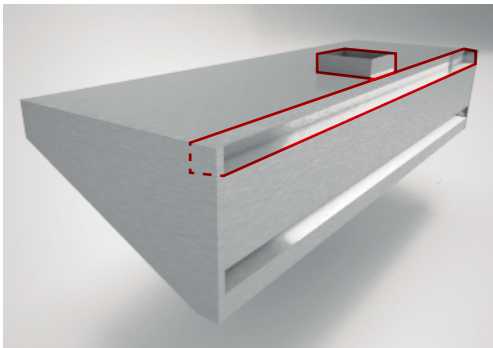
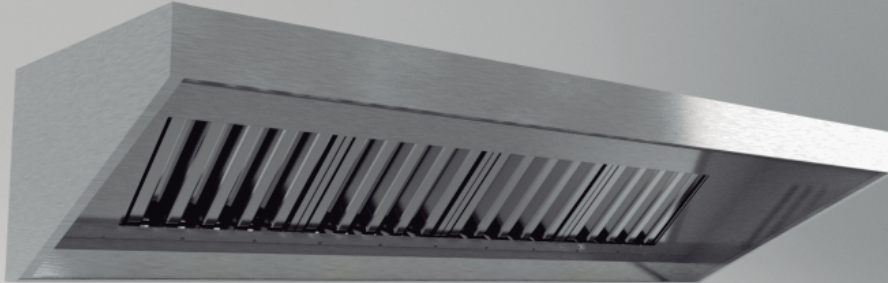
# GREASE EXHAUST VENT HOOD 15.1" H (TYPE I) (STAINLESS STEEL)

# NEATSS

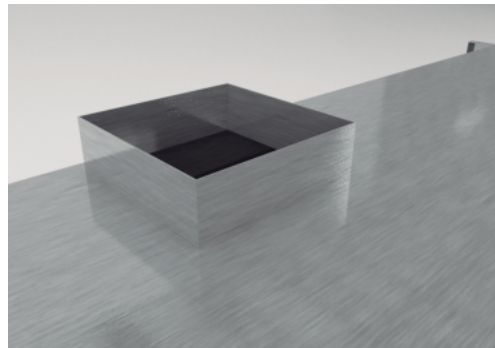
STAINLESS STEEL

## FEATURES

- Short front fascia for low ceiling applications as 76"H mobile units.
- 20 gauge type 304 stainless steel on hood surface.
- Seamless welds.
- Grease drains to a removable catch pan along the back edge.
- Easy to install on mobile units.
- Integrated 5/16 threaded bars on top anchorage
- Hood is in accordance with latest edition of uniform mechanical code.
- Designed to fit 20"W x 16"H Stainless Steel Hood Filters



Seamless, regulation welding



Collar



20"W x 16"H Stainless Steel Hood Filters

## SPECIFICATIONS

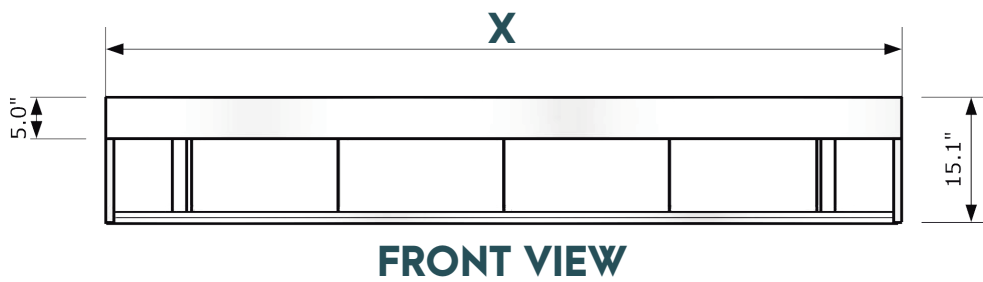
ITEM	LENGTH	DEPTH	HEIGHT	Approx. WEIGHT	FILTER SIZE
NSSVH1548	48"	32"	15.1"	200 lb.	20"W x 16"H
NSSVH1554	54"	32"	15.1"	200 lb.	20"W x 16"H
NSSVH1560	60"	32"	15.1"	240 lb.	20"W x 16"H
NSSVH1566	66"	32"	15.1"	240 lb.	20"W x 16"H
NSSVH1572	72"	32"	15.1"	280 lb.	20"W x 16"H
NSSVH1578	78"	32"	15.1"	280 lb.	20"W x 16"H
NSSVH1584	84"	32"	15.1"	340 lb.	20"W x 16"H
NSSVH1590	90"	32"	15.1"	340 lb.	20"W x 16"H

# GREASE EXHAUST VENT HOOD 15.1"H (TYPE I) (STAINLESS STEEL)

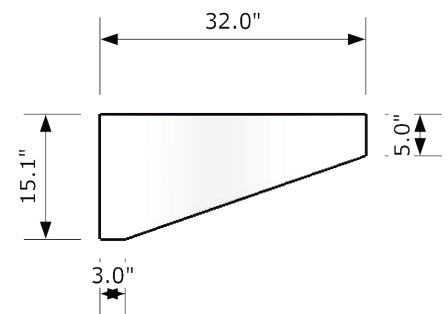
**NEATSS**  
STAINLESS STEEL

## SPECIFICATIONS

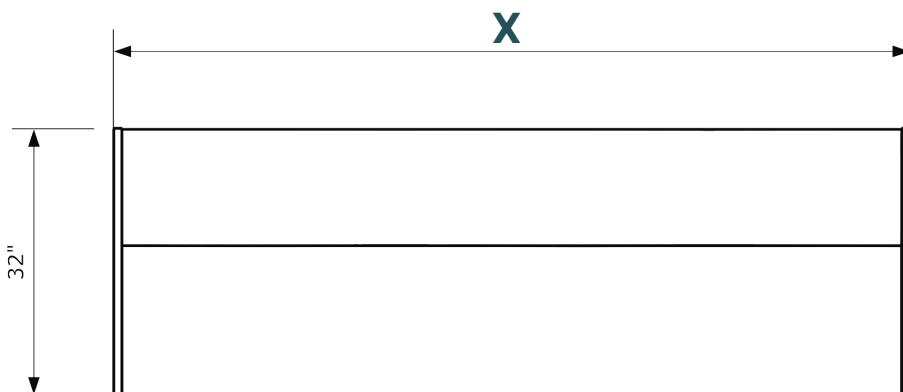
ITEM	LENGTH	DEPTH	HEIGHT	Approx. WEIGHT	FILTER SIZE
NSSVH1596	96"	32"	15.1"	380 lb.	20"W x 16"H
NSSVH15102	102"	32"	15.1"	380 lb.	20"W x 16"H
NSSVH15108	108"	32"	15.1"	380 lb.	20"W x 16"H
NSSVH15114	114"	32"	15.1"	380 lb.	20"W x 16"H



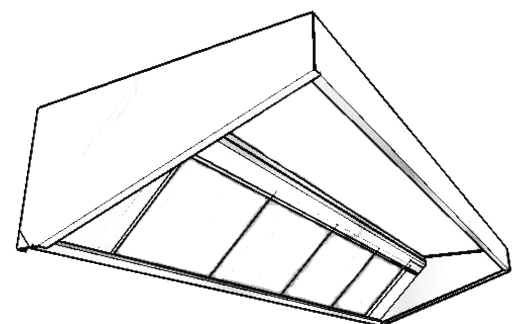
**FRONT VIEW**



**SIDE VIEW**



**TOP VIEW**



**SIDE VIEW**

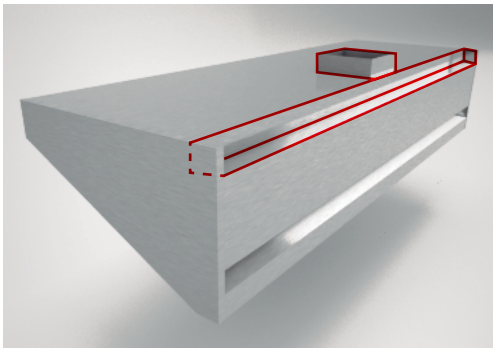
# GREASE EXHAUST VENT HOOD 19"H (TYPE I) (STAINLESS STEEL)

# NEATSS

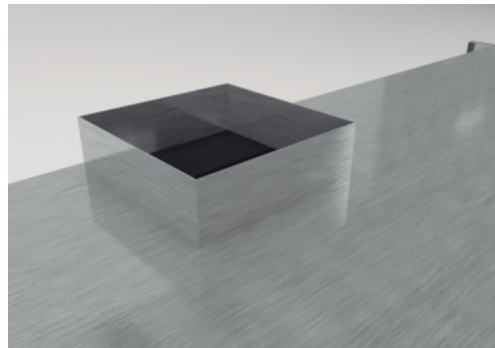
STAINLESS STEEL

## FEATURES

- Short front fascia for low ceiling applications as 80"H mobile units.
- 20 gauge type 304 stainless steel on hood surface.
- Seamless welds.
- Grease drains to a removable catch pan along the back edge.
- Easy to install on mobile units.
- Integrated 5/16 threaded bars on top anchorage
- Hood is in accordance with latest edition of uniform mechanical code.
- Designed to fit 20"W x 16"H Stainless Steel Hood Filters



Seamless, regulation welding



Collar



20"W x 16"H Stainless Steel Hood Filters

## SPECIFICATIONS

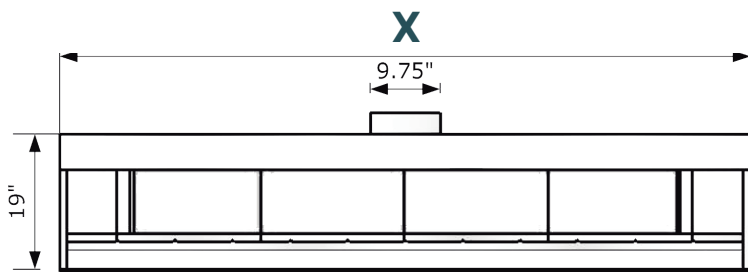
ITEM	LENGTH	DEPTH	HEIGHT	Approx. WEIGHT	FILTER SIZE
NSSVH1948	48"	32"	19"	200 lb.	20"W x 16"H
NSSVH1954	54"	32"	19"	200 lb.	20"W x 16"H
NSSVH1960	60"	32"	19"	240 lb.	20"W x 16"H
NSSVH1966	66"	32"	19"	240 lb.	20"W x 16"H
NSSVH1972	72"	32"	19"	280 lb.	20"W x 16"H
NSSVH1978	78"	32"	19"	280 lb.	20"W x 16"H
NSSVH1984	84"	32"	19"	340 lb.	20"W x 16"H
NSSVH1990	90"	32"	19"	340 lb.	20"W x 16"H

# GREASE EXHAUST VENT HOOD 19"H (TYPE I) (STAINLESS STEEL)

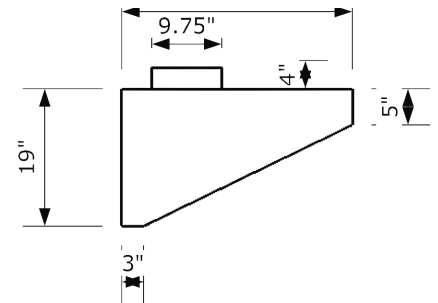
**NEATSS**  
STAINLESS STEEL

## SPECIFICATIONS

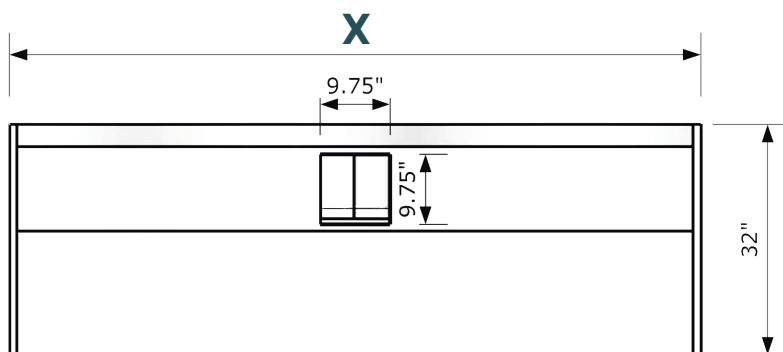
ITEM	LENGTH	DEPTH	HEIGHT	Approx. WEIGHT	FILTER SIZE
NSSVH1996	96"	32"	19"	380 lb.	20"W x 16"H
NSSVH19102	102"	32"	19"	380 lb.	20"W x 16"H
NSSVH19108	108"	32"	19"	380 lb.	20"W x 16"H
NSSVH19114	114"	32"	19"	380 lb.	20"W x 16"H



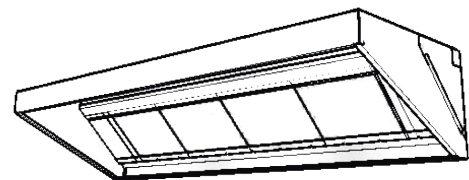
**FRONT VIEW**



**SIDE VIEW**



**TOP VIEW**



**SIDE VIEW**

# THREE COMPARTMENT COMMERCIAL SINK (STAINLESS STEEL)

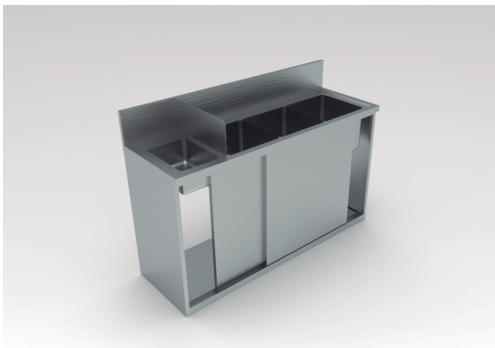
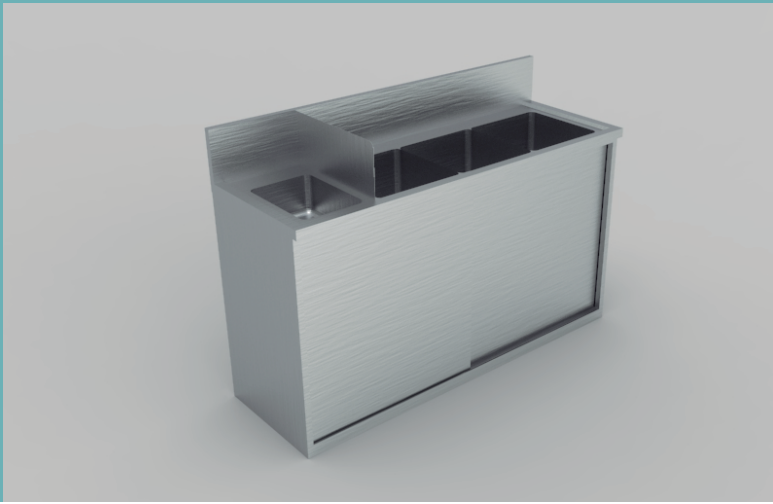
# NEATSS

STAINLESS STEEL

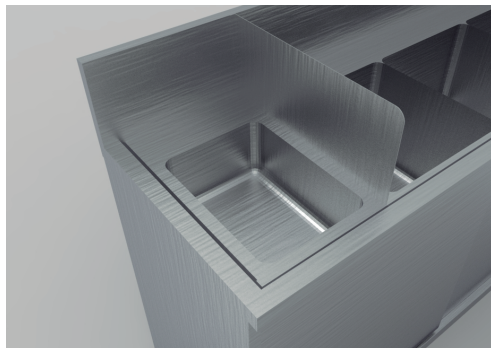
## FEATURES

- Three 12" deep compartments for comfortable dish washing and a 6" deep hand sink with an 19"x9" splashguard to avoid cross-contamination and a 8" backsplash.
- Ample space underneath with 2 sliding doors for easy plumbing maintenance or repair.
- All stainless steel, which makes cleaning a breeze, combines unbeatable strength with long-lasting durability.
- Easy to install on mobile units.

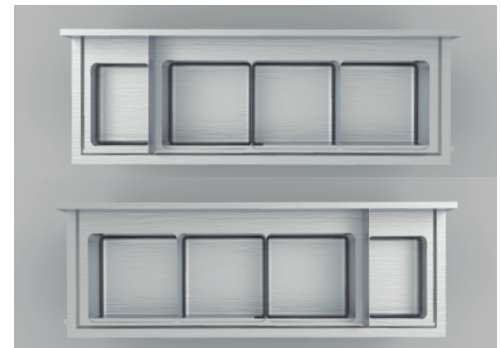
\* Hand sink can be placed on the **RIGHT** or on the **LEFT** side, depending on the space needs.



Sliding doors for easy plumbing maintenance or repair.



Hand sink splash guard to avoid cross-contamination.



Sink can be **LEFT** or **RIGHT**

## SPECIFICATIONS

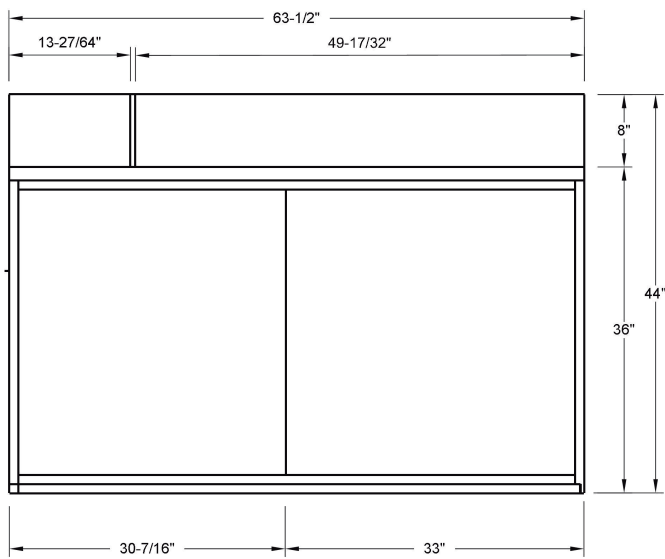
ITEM	LENGTH	DEPTH	HEIGHT	Approx. WEIGHT
NSSSK3C63	63 1/2"	22"	44"	200 lb.

# THREE COMPARTMENT COMMERCIAL SINK (STAINLESS STEEL)

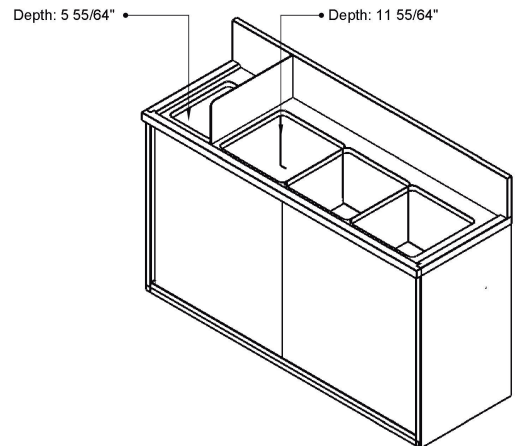
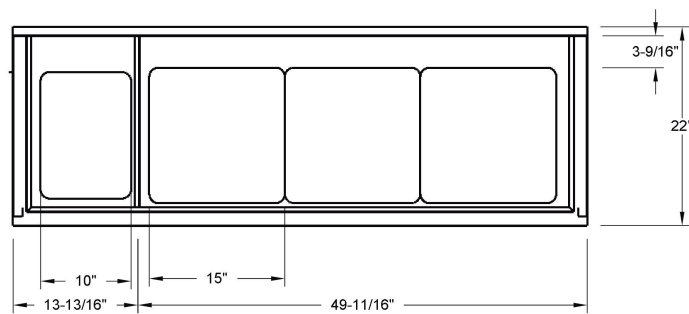
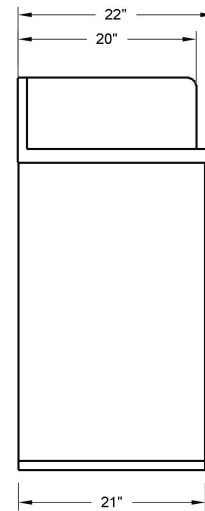
# NEATSS STAINLESS STEEL

## PLAN VIEW

### FRONT VIEW



### SIDE VIEW



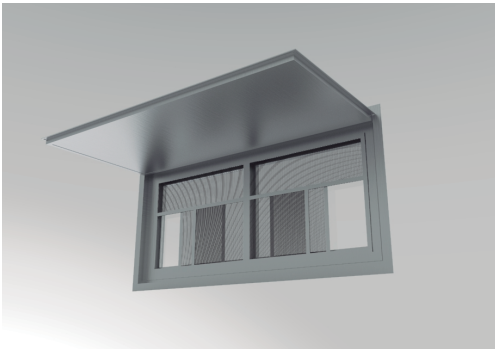
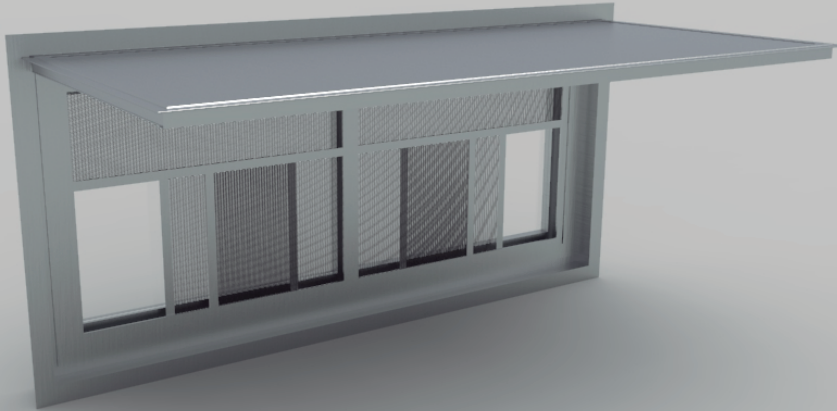
### TOP VIEW

# STAINLESS STEEL CONCESSION WINDOW

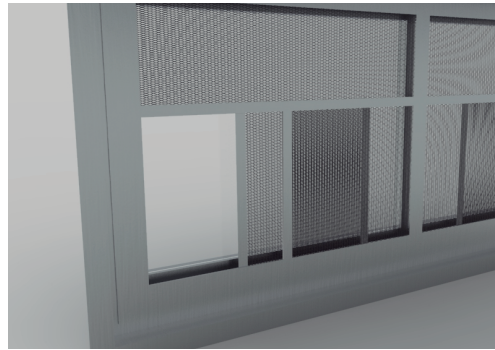
**NEATSS**  
STAINLESS STEEL

## FEATURES

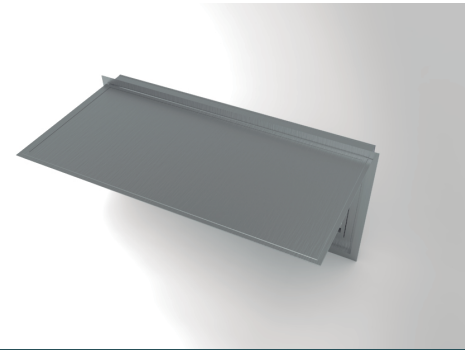
- Stainless Steel Concession Window with 33" height for comfortable reach.
- Two 14" x 15" pass-through openings for food delivery, in accordance to latest inspection regulations, with 16mesh/inch screen doors.
- Overhead cover which can be kept open or closed, safely covering and protecting the whole window.
- Easy to install on mobile units.



33" height for comfortable reach.



16mesh/inch screen doors



Overhead cover

## SPECIFICATIONS

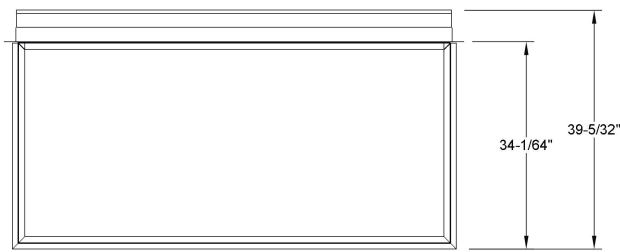
ITEM	LENGTH	HEIGHT	PASS-THROUGH OPENINGS	MESH
NSSCW72	72"	33"	(2) 14" x 15"	16mesh/inch
NSSCW84	84"	33"	(2) 14" x 15"	16mesh/inch
NSSCW96	96"	33"	(2) 14" x 15"	16mesh/inch

# STAINLESS STEEL CONCESSION WINDOW

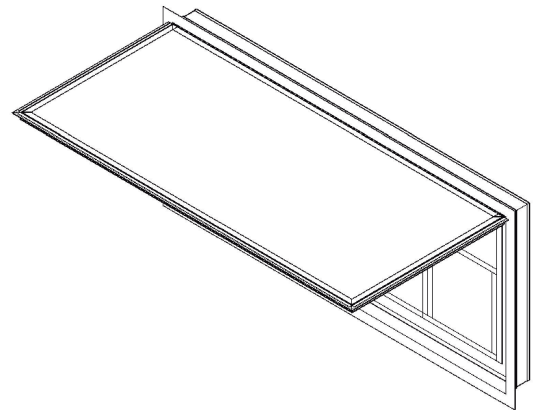
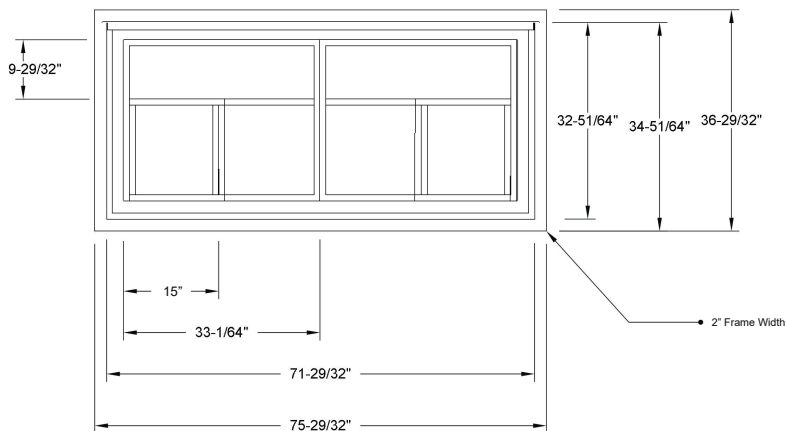
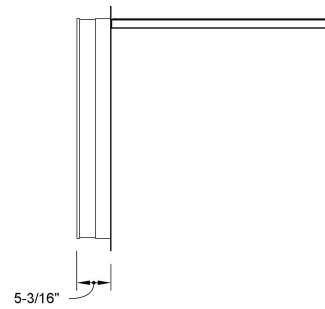
**NEATSS**  
STAINLESS STEEL

## PLAN VIEW

### TOP VIEW



### SIDE VIEW



### FRONT VIEW

**NEATSS**  
**STAINLESS STEEL**

713-589-2613 info@neatss.com

[www.neatss.com](http://www.neatss.com)

NEAT SS, 2501 Karbach St, Houston, TX 77092

# POLYETHYLENE WASTE TANK

**NEATSS**  
STAINLESS STEEL

## FEATURES

- Smooth type 304 stainless steel work surface makes cleaning a breeze
- Galvanized legs & undershelves provide unparalleled stability
- Adjustable bullet feet ensure leveling on uneven surfaces
- Combines unbeatable strength with long-lasting durability

## SPECIFICATIONS

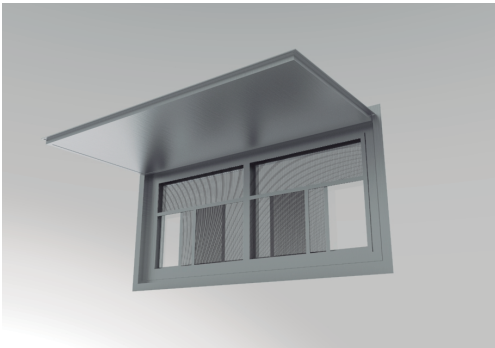
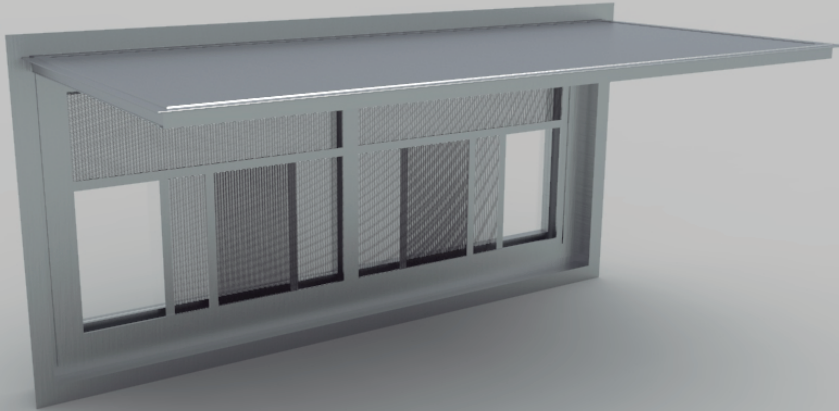
ITEM	LENGTH	WIDTH	HEIGHT	Gal. Capacity
NPWT45	50"	24"	12"	45 gal.
NPWT55	60"	24"	12"	45 gal.

# CARBON STEEL CONCESSION WINDOW

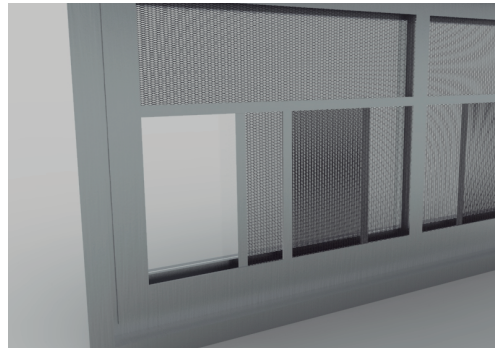
**NEATSS**  
STAINLESS STEEL

## FEATURES

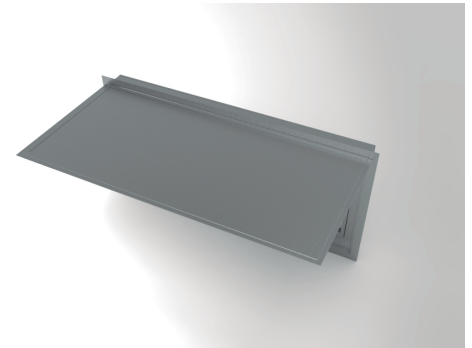
- Carbon Steel Concession Window with 33" height for comfortable reach.
- Two 14" x 15" pass-through openings for food delivery, in accordance to latest inspection regulations, with 16mesh/inch self-closing screen doors.
- Overhead cover which can be kept open or closed, safely covering and protecting the whole window.
- Easy to install on mobile units.



33" height for comfortable reach.



16mesh/inch self-closing screen doors



Overhead cover

## SPECIFICATIONS

ITEM	LENGTH	HEIGHT	PASS-THROUGH OPENINGS	MESH
NSSCW72	72"	33"	(2) 14" x 15"	16mesh/inch
NSSCW84	84"	33"	(2) 14" x 15"	16mesh/inch
NSSCW96	96"	33"	(2) 14" x 15"	16mesh/inch

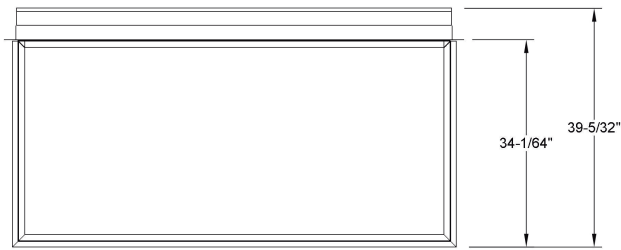
# CARBON STEEL CONCESSION WINDOW

# NEATSS

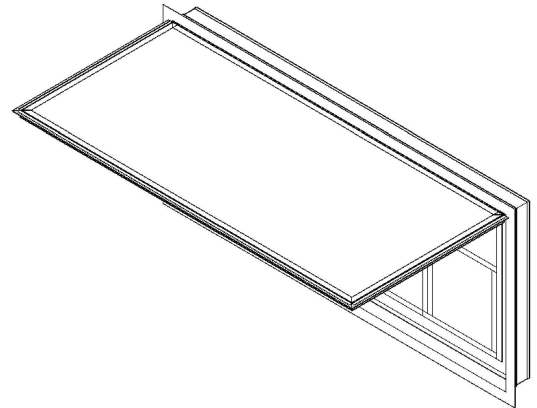
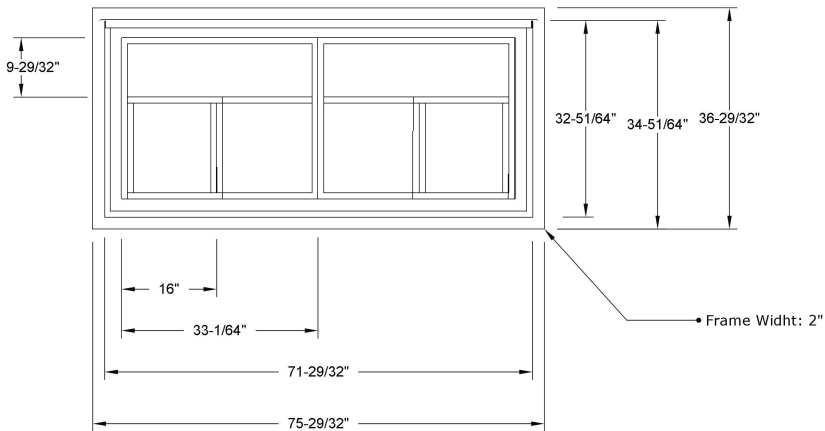
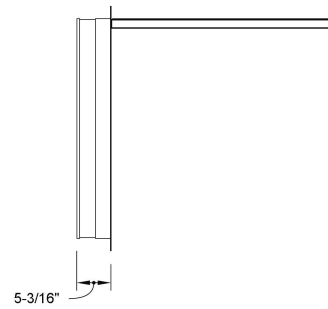
STAINLESS STEEL

## PLAN VIEW

### FRONT VIEW



### SIDE VIEW



### TOP VIEW